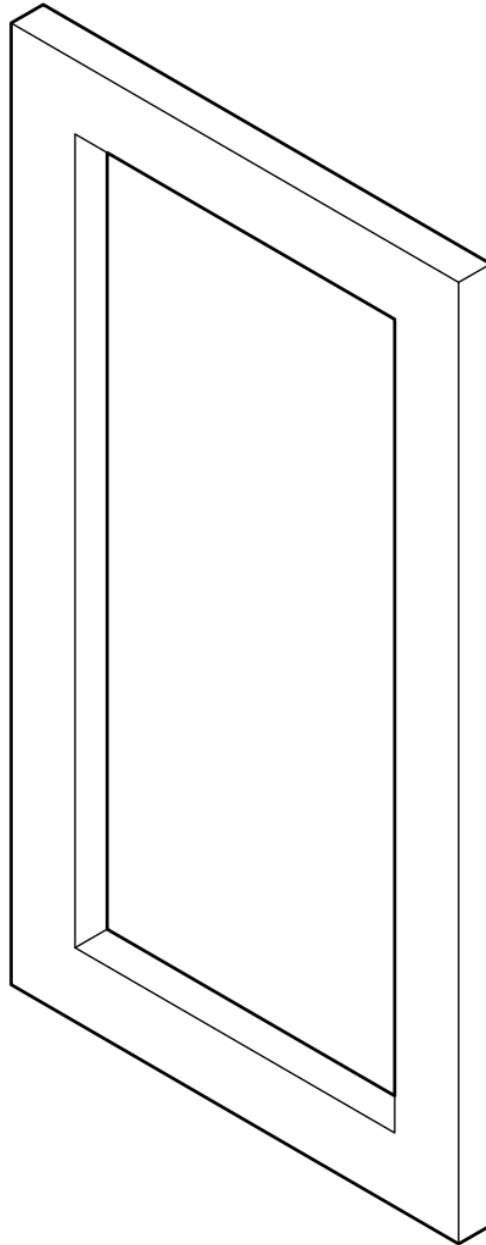


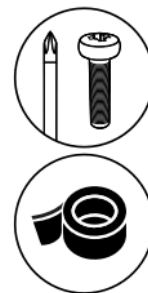
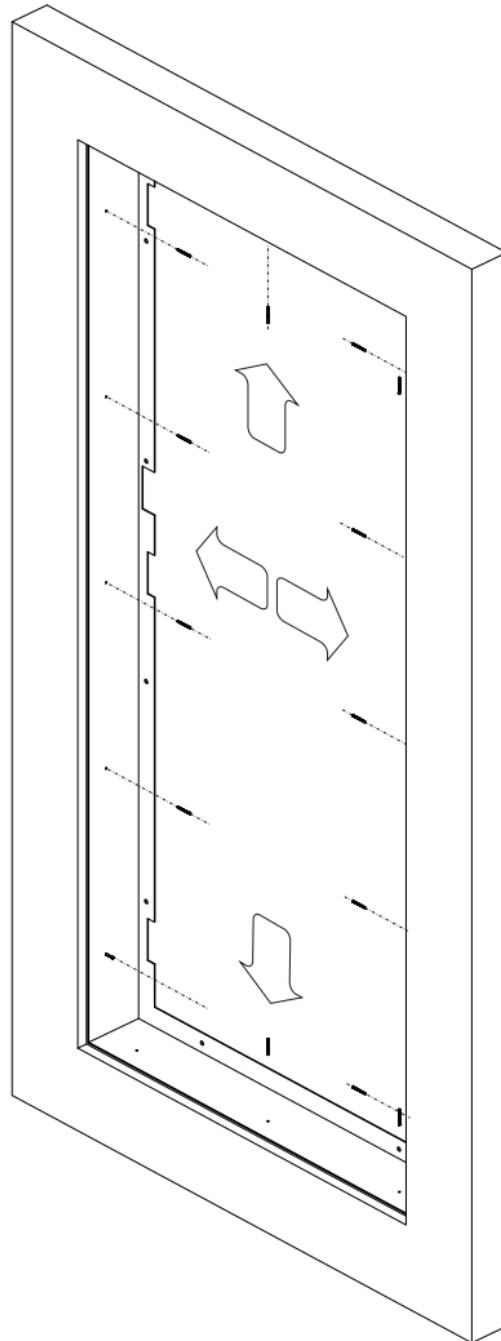
Installation Instructions

Preparation



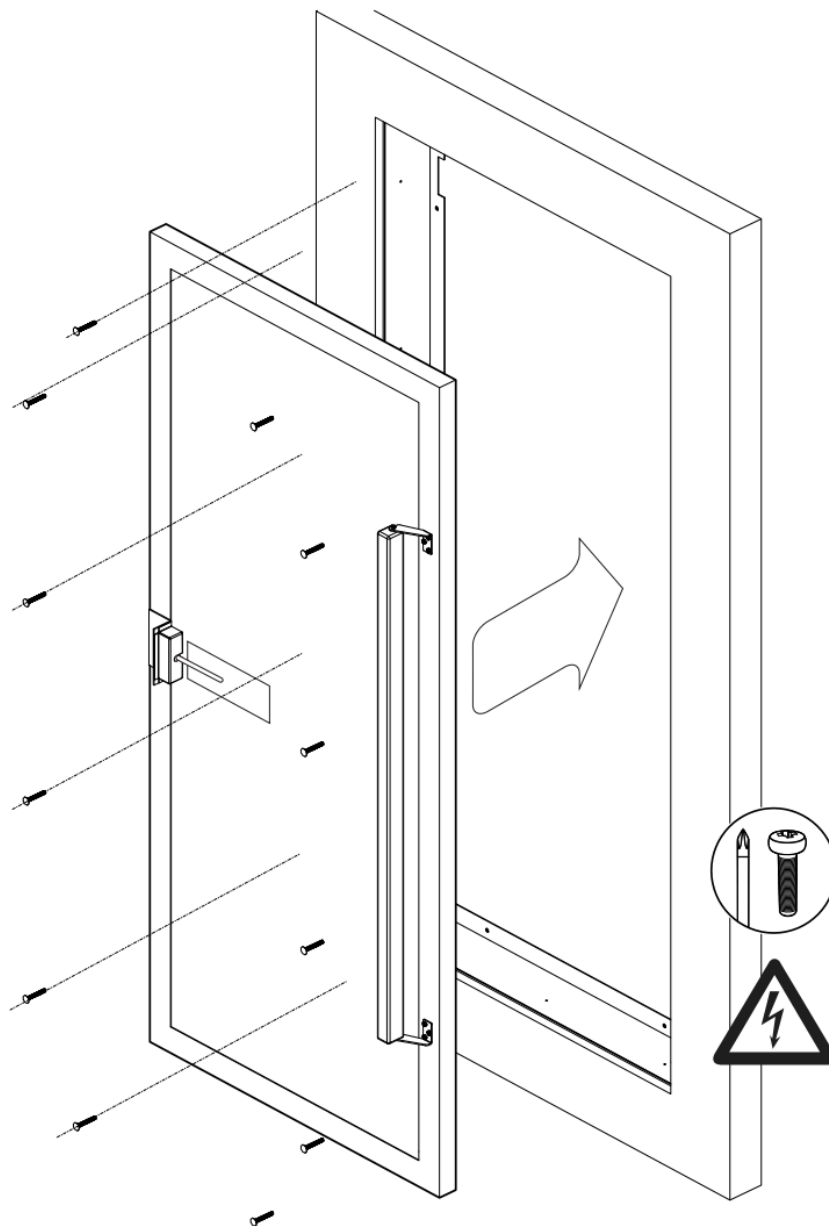
1. Prepare the wall opening according to the appropriate smoke door schedule

First Fix



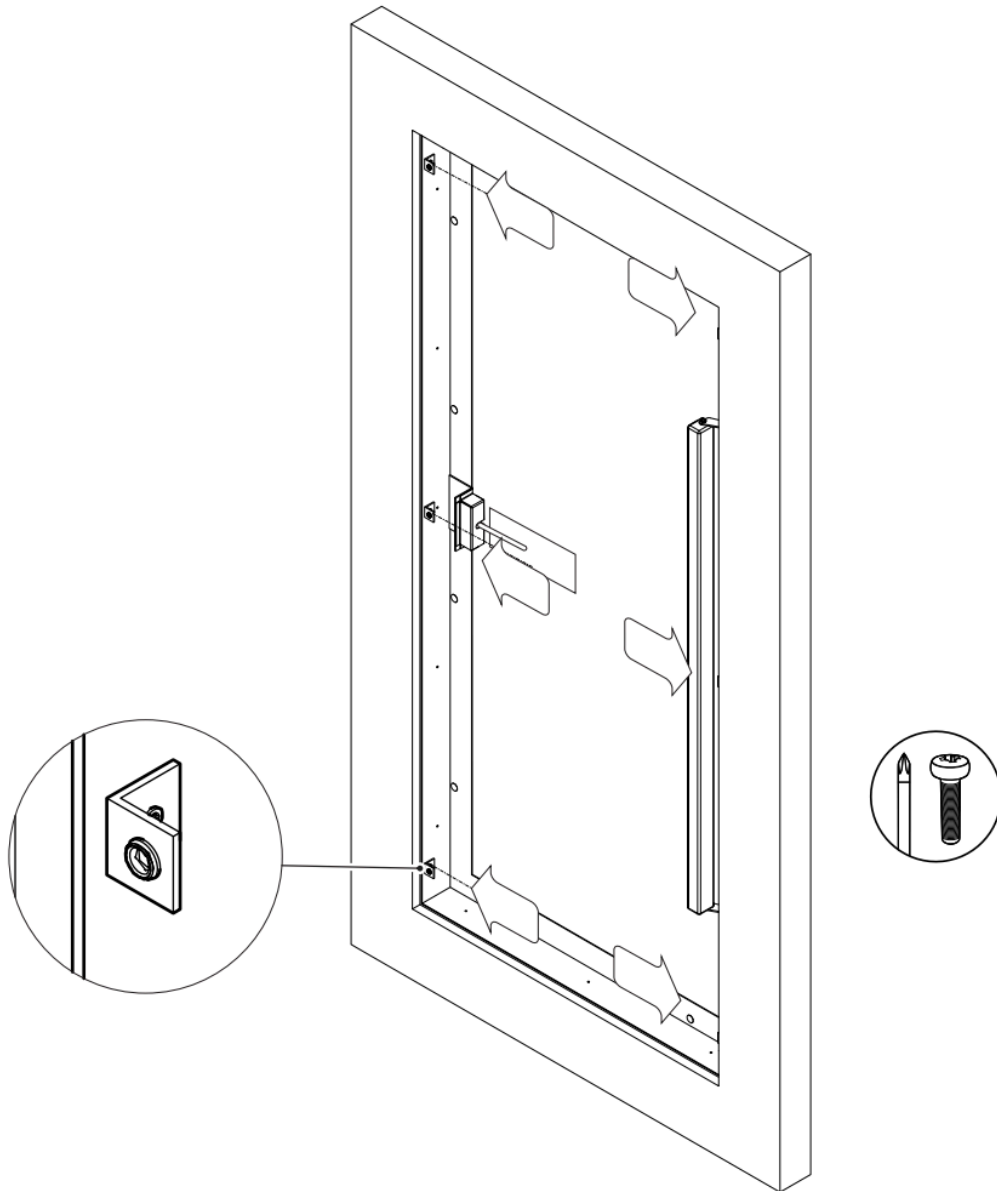
1. Install the first-fix wall frame using the spacers provided for best fit and to ensure sufficient gap for intumescent seal all round
2. Number and type of fixings according to smoke door size and wall construction
3. Ensure the frame is secure and true (check diagonals)

Damper Installation



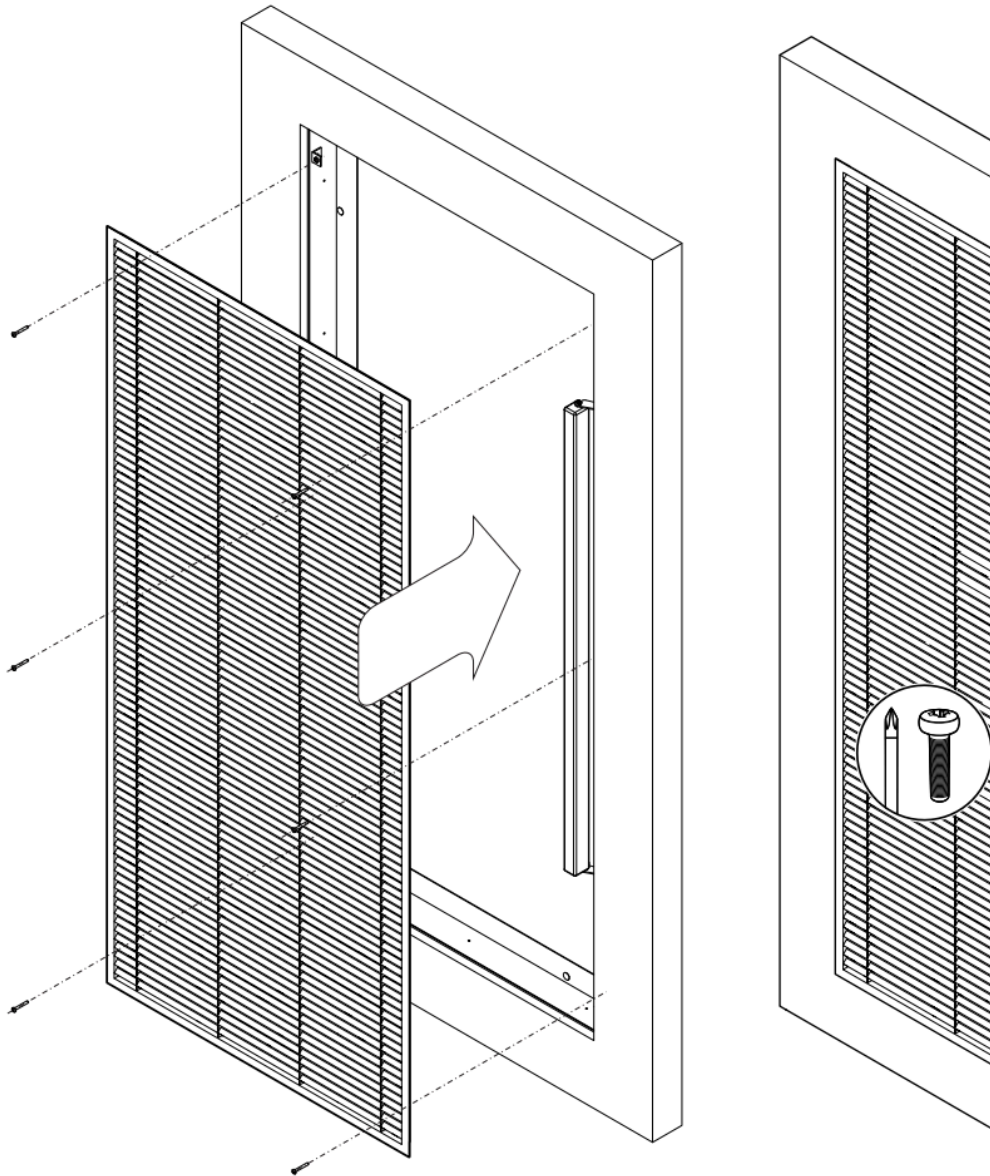
1. Install the door/door frame using the fixings provided.
2. Take care not to damage or snag the actuator connection cable.
3. Number of fixings according to smoke door size
4. Ensure all fixings provided are used and tight to 10Nm minimum
5. Make the electrical connection to the actuator in accordance with
6. BS 7671 Wiring Regulations and BS 8519 Life Safety and Fire-fighting Cabling.

Louvre Installation



1. Install 6x louvre brackets to both sides of the door frame using the fixings provided.
2. Ensure all fixings provided are used and tight to 10Nm minimum

Louvre Installation - continued



1. Secure the louvre to the wall face using the 6x hidden louvre
2. Ensure all fixings provided are used and tight to 5Nm minimum

Component Identification

