

# EV-301 / EV-601 interface panel wiring details for EV Mode

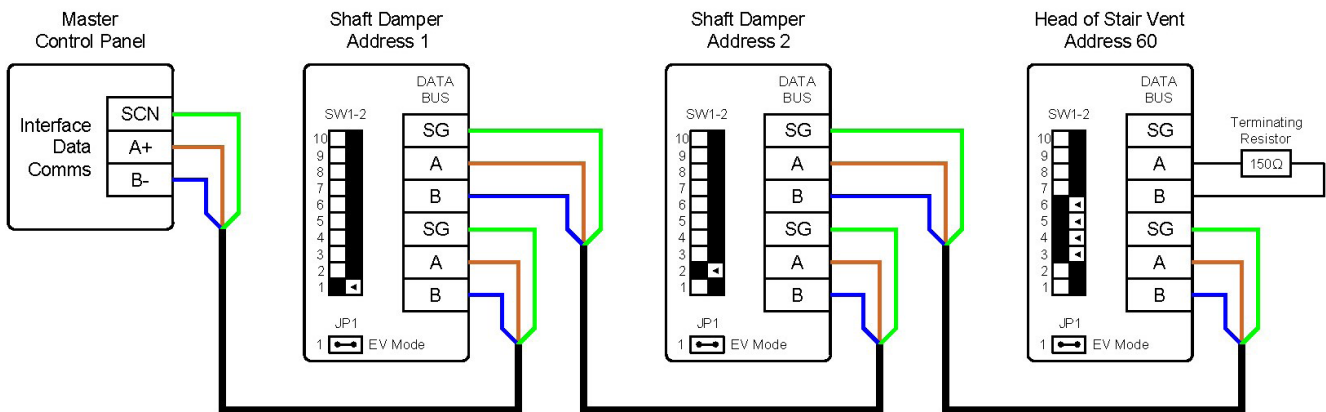
Addressable Shaft System (EV Mode) is enabled by inserting the JP1-1 Mode jumper link.



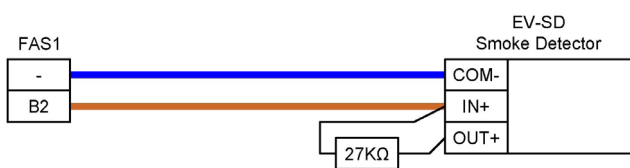
**DANGER:**

Risk of electrocution. Works on this equipment should only be carried out by a qualified and competent electrical person. Observe all electrical safety regulations and safe systems of work. Check power supply has been isolated or disconnected safely before removing equipment covers.

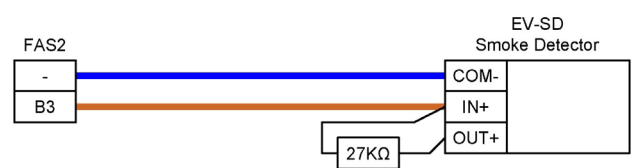
Typical data wiring between panels



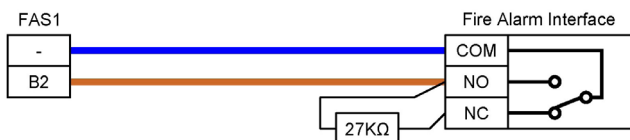
Smoke Detectors



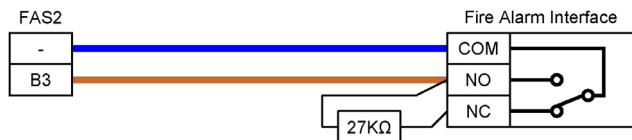
Smoke Detectors – Reverse Fans



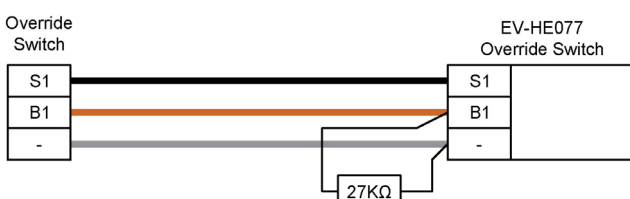
Fire Alarm Interface



Fire Alarm Interface – Reverse Fans



Override Switches



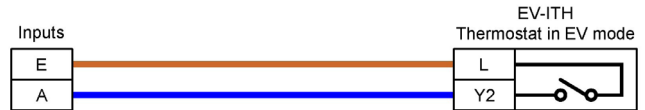
Wiring details continue on next page

## INSTRUCTIONS (CONTINUED)

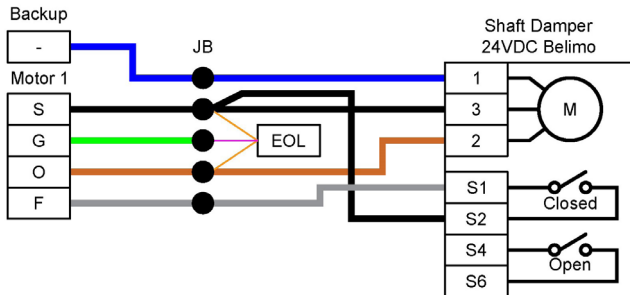
### Stair Door Pressure Sensor



### Thermostat



### Smoke Damper



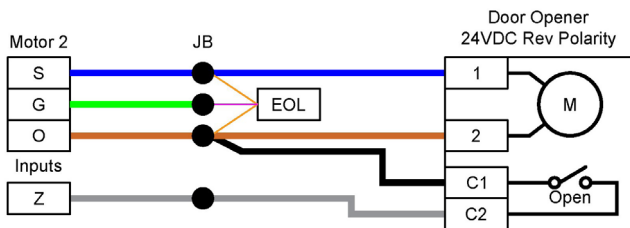
### Temperature Sensor



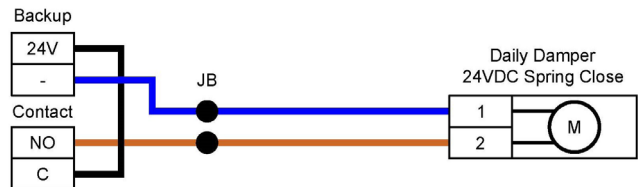
### Wind / Rain Sensor



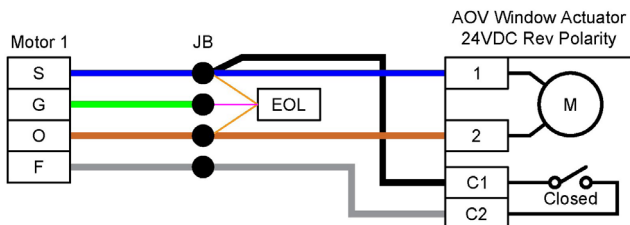
### Door Opener



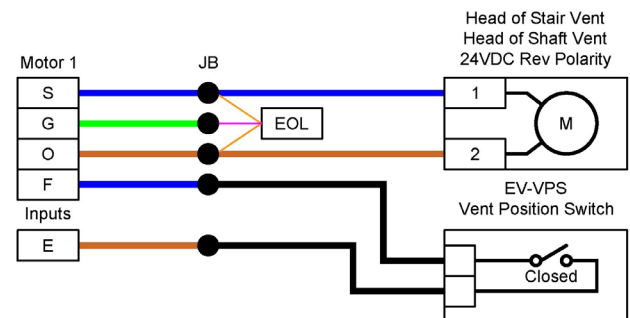
### Daily Damper



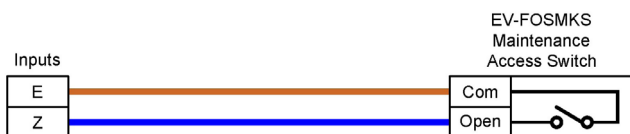
### AOV / Window Actuator



### Head of Stair Vent



### Head of Stair Vent Maintenance Access Switch



ATTENTION: Under the Construction Products Regulations (CPR) it is a legal requirement to use only certified products for smoke ventilation. It is the responsibility of the installer to ensure installations meet the relevant standards.

Group SCS reserves the right to alter the specification of its products from time to time without notice. Although every effort has been made to ensure the accuracy of the information contained in this document it is not warranted or represented by Group SCS to be a complete and up-to-date description. For further information visit [www.groupscs.co.uk](http://www.groupscs.co.uk)