

# Large Dual Chain Actuator.

## EV-DUAL

The EV-DUAL chain actuator is an Environmental Ventilation actuator tested to 10,000 double stroke cycles and specifically designed to offer greater power for taller, wider and heavier windows and roof lights for automation. Its double chain fixing points ensure adequate weathering and sealing performance in the closed position.



### KEY INFO / SPECIFICATIONS

	24V DC	230V AC
Connecting Cable	1.8m	0.8m
Current	2.0A	0.2A
Operating Voltage	DC24V±10%	AC230V±10%
IP Rating	IP32	IP32
Push Force	800N (1200N Available on request)	800N (1200N Available on request)
Pull Force	800N (1200N Available on request)	800N (1200N Available on request)
Stroke	400,600,800mm	400,600,800mm
Speed	10mm/s	10mm/s
Operating Temperature	-20~75°C	-20~75°C
Dimensions	40mm x 51mm x stroke +581mm	40mm x 51mm x stroke + 701mm
Weight*	3.9 - 5.9 kg*	4.6 - 6.5 kg*

\*May vary based on stroke and voltage, check the product variations on the next page of this datasheet for model-specific weights.

### DESIGN

The EV-DUAL comes with a standard anodised silver housing finish with RAL options available upon request (and subject to an additional surcharge).

### ADDITIONS

- Pressure relief for Window Gasket after closing
- Electronic overload cutoff
- Integrated Wireless remote control (on request)
- Inward Opening available on request

### APPLICATION

The EV-DUAL is suitable for top/bottom/side hung windows/skylights with outward/inward opening. It is especially great for windows and skylights wider than 1200mm with heavy duty.

### CONFORMITY

UKCA & CE Marked to Low voltage and EMC Regulations & Directives

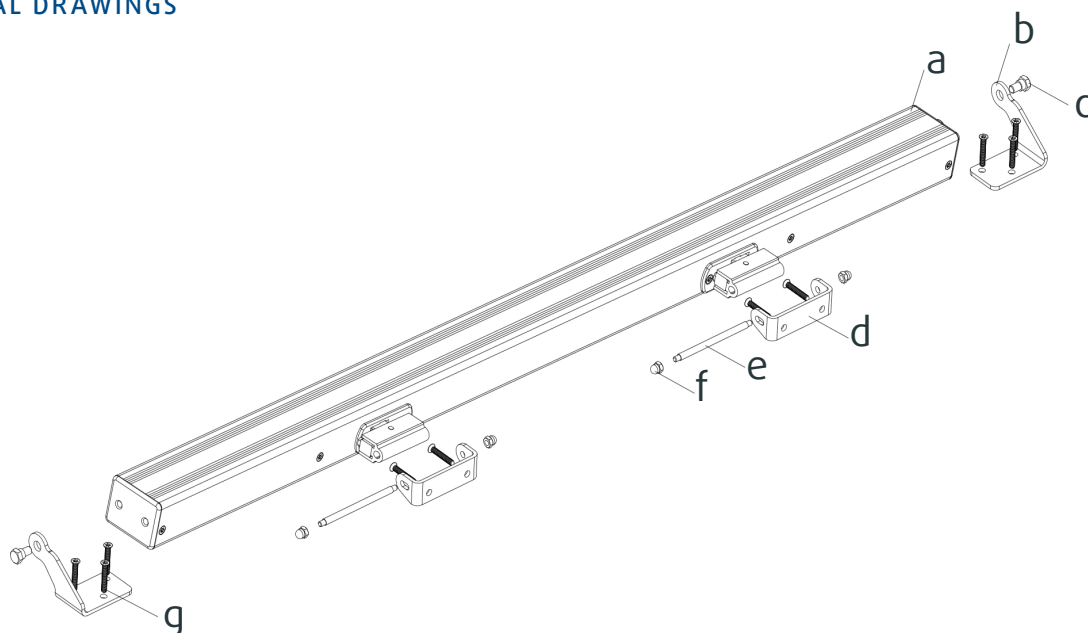
### MANUFACTURER

Easivent

### SUITABLE FOR:



## TECHNICAL DRAWINGS



	a	b	c	d	e	f	g
<b>Description</b>	Actuator housing	Bracket	Hex Head Screw	Sash Connector	Latch	Nut	Self-tapping screw
<b>Quantity</b>	1	2	2	2	2	4	10

## VARIATIONS

EV-DUAL LARGE DUAL CHAIN ACTUATOR		
Model Number	Description	Weight
EV-DUAL 230/400	Dual Chain drive 230v AC / 400mm stroke	4.5kg
EV-DUAL 230/600	Dual Chain drive 230v AC / 600mm stroke	5.5kg
EV-DUAL 230/800	Dual Chain drive 230v AC / 800mm stroke	6.5kg
EV-DUAL 24/400	Dual Chain drive 24v DC / 400mm stroke	3.9kg
EV-DUAL 24/600	Dual Chain drive 24v DC / 600mm stroke	4.9kg
EV-DUAL 24/800	Dual Chain drive 24v DC / 800mm stroke	5.9kg
EV-DUAL CON	Configurable RAL and Stroke version	N/A

## ACCESSORIES

Part number	Product name
EV-WIFI 230	230v Nat Vent WiFi
EV-WIFI 24	24v Nat Vent WiFi Controller
EV-REMOTE 2 CH	2 channel remote

## SPARES

Part number	Product name
EV-DUAL SM BKT	Side mounted brackets
EV-DUAL CH CON	Chain connector & pin

ATTENTION: Under the Construction Products Regulations (CPR) it is a legal requirement to use only certified products for smoke ventilation. It is the responsibility of the installer to ensure installations meet the relevant standards.

Group SCS reserves the right to alter the specification of its products from time to time without notice. Although every effort has been made to ensure the accuracy of the information contained in this document it is not warranted or represented by Group SCS to be a complete and up-to-date description. For further information visit [www.groupscs.co.uk](http://www.groupscs.co.uk)