

Chain Actuator.

L35

Chain actuator for opening/closing top-hung and bottom-hung windows.



KEY INFO / SPECIFICATIONS

	L35 230V	L35 24V
Connecting Cable	0.5m cable included	0.5m cable included
Current	0.19A	1.0A
IP Rating	IP44	IP44
Voltage Input	230V AC - 3 Core Connection	24V DC - 2 Core, Reverse Polarity
Stroke Speed	18 mm/s	18 mm/s
Available Stroke	Adjustable stroke: 50-100-150-200-250-300-350-400-420mm Stroke selectable via dip-switches	Adjustable stroke: 50-100-150-200-250-300-350-400-420mm Stroke selectable via dip-switches
Push Force	350N	350N
Pull Force	350N	350N
Operating Temperature	-5°C to +50°C	-5°C to +50°C
Synchronisation	No	No
Finish	Available in White (RAL9010), Black (RAL9005) and Grey (RAL7035)	Available in White (RAL9010), Black (RAL9005) and Grey (RAL7035)
Casing / Material	Polycarbonate	Polycarbonate
Dimensions	L:390mm x W:73mm x H:38mm	L:390mm x W:73mm x H:38mm
Weight	1.23kg	1.22kg

DESIGN

Aesthetically pleasing enclosure makes it ideal for providing automated comfort ventilation.

CUSTOMISATION

Facility to adjust the degree of opening thanks to a series of stroke options that can be selected instantly with a combination of dip-switch settings.

ACCESSORIES

Unit comes complete with fixing accessories: support brackets, mounting bracket for bottom-hung windows and mounting bracket for top-hung windows.

MANUFACTURER

Comunello

CONFORMITY

UKCA & CE Marked to Machinery, Low voltage and EMC Regulations & Directives

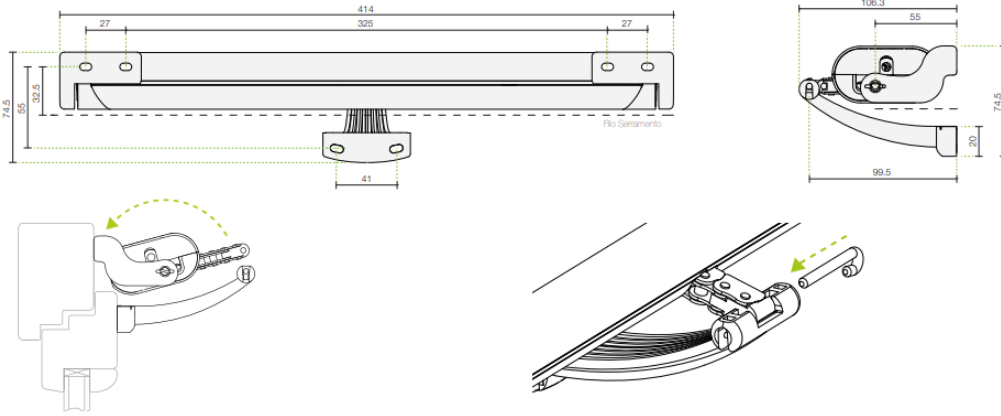
SUITABLE FOR:



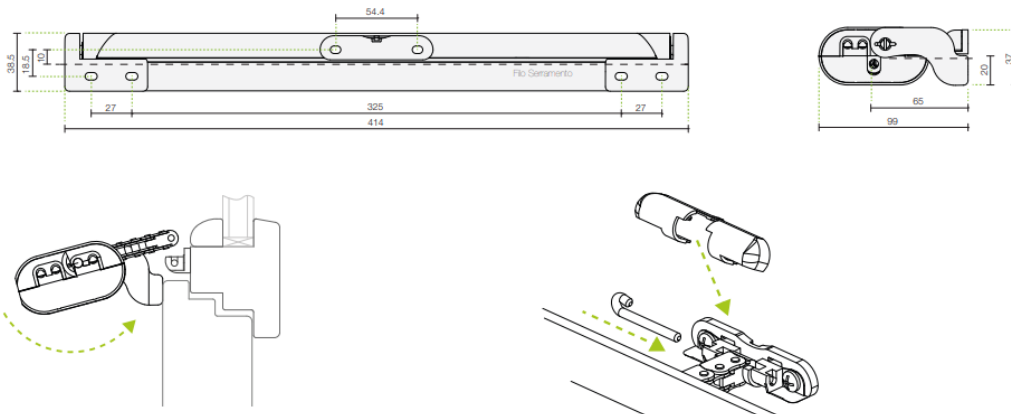
TECHNICAL DRAWINGS



Bottom-hung
inward opening window



Top-hung
outward opening window



ATTENTION: Under the Construction Products Regulations (CPR) it is a legal requirement to use only certified products for smoke ventilation. It is the responsibility of the installer to ensure installations meet the relevant standards.

Group SCS reserves the right to alter the specification of its products from time to time without notice. Although every effort has been made to ensure the accuracy of the information contained in this document it is not warranted or represented by Group SCS to be a complete and up-to-date description. For further information visit www.groupscs.co.uk