

Hatch Vent.

EV-AOV-HV

A low profile hatch vent that can be installed onto a roof curb providing smoke ventilation to the head of stair or the head of a smoke shaft.



CONFORMITY

Certified to EN 12101-2 and provides discharge of smoke and fumes with an opening angle of 140 degrees.

PACKAGED

Delivered as an assembled unit, with a choice of lid. Either a solid 20mm sandwich panel or a 10mm polycarbonate translucent panel.

QUALITY

300mm high insulated base, constructed from 1.25mm galvanised steel with a 20mm mineral wool infill.

INSTALLATION

Can be installed onto flat or sloping roofs.

MANUFACTURER

Mercor

SUITABLE FOR:

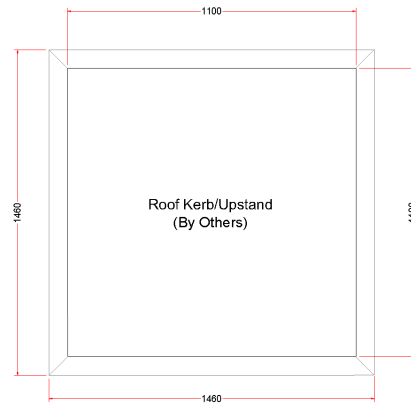
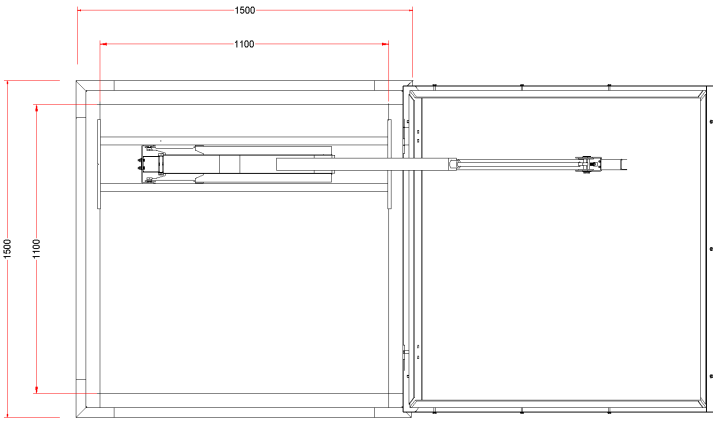
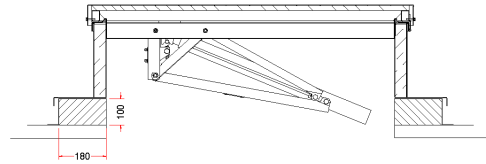
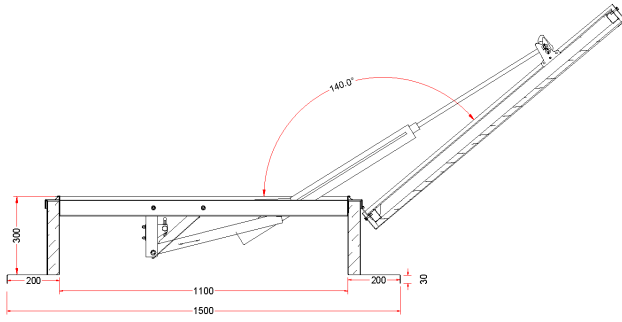


KEY INFO / SPECIFICATIONS

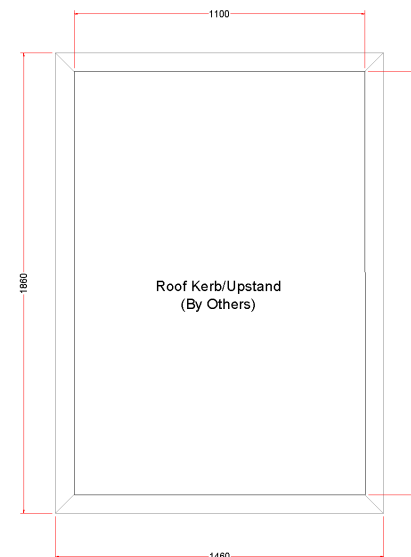
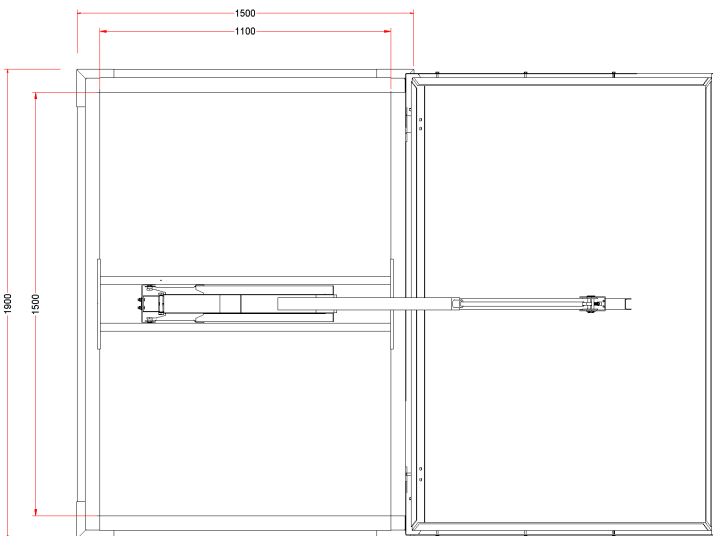
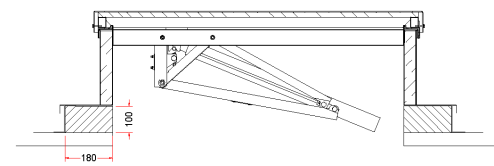
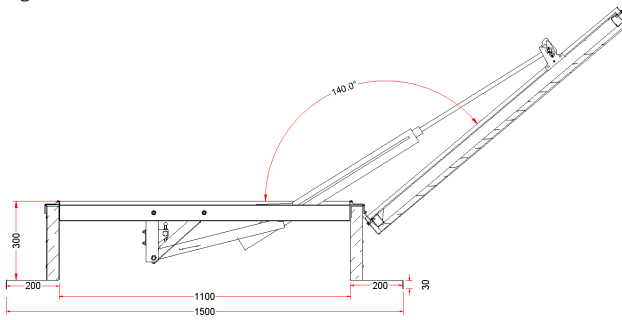
	1.0m ²	1.5m ²
Aerodynamic Free Area	0.74m ²	1.02m ²
Casing / Material	2.0mm aluminium	2.0mm aluminium
Finish	External and internal both mill finish	External and internal both mill finish
Geometric Free Area	1.0m ²	1.5m ²
Internal Dimensions	L:1100mm x W: 1100mm	L:1500mm x W: 1100mm
Nominal Current	Polycarbonate lid - 1.6A Solid panel lid - 2.0A	Polycarbonate lid - 2.0A Solid panel lid - 2.6A
Nominal Voltage	24 V DC (- 15 % / + 25 %)	24 V DC (- 15 % / + 25 %)
U Value	Solid panel lid - 2.9W/m ² K Polycarbonate lid - 2.9W/m ² K	Solid panel lid - 2.9W/m ² K Polycarbonate lid - 2.8W/m ² K
Weight	70kg approximately	85kg approximately
Wind load	WL 1500	WL 1500

TECHNICAL DRAWINGS

1.0m² geometric free area



1.5m² geometric free area



VARIATIONS

EV-AOV-HV Hatch Vent

Model number	Variations
EV-AOV-HV1.0-AL	1.0m ² EN12101-2 Hatch AOV - Solid panel
EV-AOV-HV1.0-PC	1.0m ² EN12101-2 Hatch AOV - Translucent panel
EV-AOV-HV1.5-AL	1.5m ² EN12101-2 Hatch AOV - Solid panel
EV-AOV-HV1.5-PC	1.5m ² EN12101-2 Hatch AOV - Translucent panel

ATTENTION: Under the Construction Products Regulations (CPR) it is a legal requirement to use only certified products for smoke ventilation. It is the responsibility of the installer to ensure installations meet the relevant standards.

Group SCS reserves the right to alter the specification of its products from time to time without notice. Although every effort has been made to ensure the accuracy of the information contained in this document it is not warranted or represented by Group SCS to be a complete and up-to-date description. For further information visit www.groupscs.co.uk