

EV-ITH Tamper Proof Thermostat.

EV-ITH

Thermostat to provide temperature monitoring of the lobby and corridor spaces.



DAILY VENTILATION

On detection of high temperatures the thermostats will trigger the smoke shaft system into daily ventilation mode.

ADJUSTABLE

Adjustable via a dial within the tamper-proof housing.

SENSING

Thermostatic sensing technology using a maintenance-free gas-filled diaphragm with a two point switching differential.

MANUFACTURER

Siemens

CONFORMITY

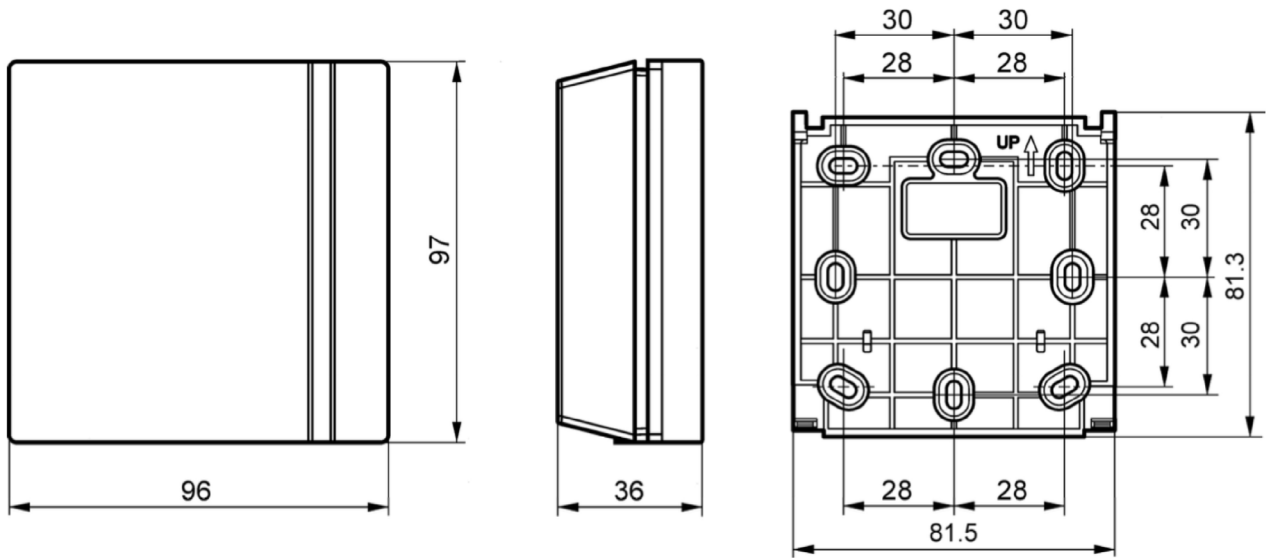
UKCA & CE Marked to Low voltage and EMC Regulations & Directives

KEY INFO / SPECIFICATIONS

| | |
|-----------------------|---------------------------|
| Cable Entries | Rear |
| IP Rating | IP30 |
| Voltage Input | 24 to 250V AC |
| Operating Temperature | 8°C to +30°C |
| Finish | ABS plastic RAL9003 white |
| Dimensions | H:97mm x W:96mm x D:36mm |
| Weight | 0.14kg |

SUITABLE FOR:





ATTENTION: Under the Construction Products Regulations (CPR) it is a legal requirement to use only certified products for smoke ventilation. It is the responsibility of the installer to ensure installations meet the relevant standards.

Group SCS reserves the right to alter the specification of its products from time to time without notice. Although every effort has been made to ensure the accuracy of the information contained in this document it is not warranted or represented by Group SCS to be a complete and up-to-date description. For further information visit www.groupscs.co.uk